

Part Number

YUAN DEAN SCIENTIFIC

| | | | | |
|-----|---|-----|---|----|
| VSM | - | 201 | 1 | NL |
| A | | B | C | D |

- A : Series
 B : Inductance
 C : Package Number
 D : RoHS Version



Magnetic Devices

VSM SERIES

Surface Mount

Versatile



Electrical Specifications@25°C-Operating Temperature -40°C to 85°C

| Part Number | Parallel Ratings | | | Series Ratings | | | Type | Test FREQ (MHz) |
|-------------|------------------|---------------|------------------|-----------------|---------------|------------------|------|-----------------|
| | Inductance (uH) | Current (AMP) | DCR Ω max | Inductance (uH) | Current (AMP) | DCR Ω max | | |
| VSM-1001NL | 10 | 2.500 | 0.046 | 40 | 1.250 | 0.184 | 1 | 1 |
| VSM-2001NL | 20 | 1.600 | 0.119 | 80 | 0.800 | 0.480 | | |
| VSM-5001NL | 50 | 1.020 | 0.217 | 200 | 0.510 | 0.870 | | |
| VSM-8201NL | 82 | 0.730 | 0.444 | 328 | 0.365 | 1.780 | | |
| VSM-1011NL | 100 | 0.730 | 0.469 | 400 | 0.365 | 1.880 | | |
| VSM-2011NL | 200 | 0.500 | 0.810 | 800 | 0.250 | 3.220 | | |
| VSM-3011NL | 300 | 0.420 | 0.950 | 1200 | 0.210 | 3.730 | | |
| VSM-1002NL | 10 | 4.000 | 0.026 | 40 | 2.000 | 0.150 | 2 | 1 |
| VSM-2002NL | 20 | 2.100 | 0.071 | 80 | 0.050 | 0.300 | | |
| VSM-5002NL | 50 | 1.350 | 0.242 | 200 | 0.575 | 0.970 | | |
| VSM-1012NL | 100 | 0.980 | 0.332 | 400 | 0.475 | 1.330 | | |
| VSM-1512NL | 150 | 0.720 | 0.603 | 600 | 0.036 | 2.420 | | |
| VSM-2512NL | 250 | 0.600 | 0.881 | 1000 | 0.300 | 3.530 | | |
| VSM-3012NL | 300 | 0.550 | 0.930 | 1200 | 0.275 | 3.750 | | |

www.yds.com.tw

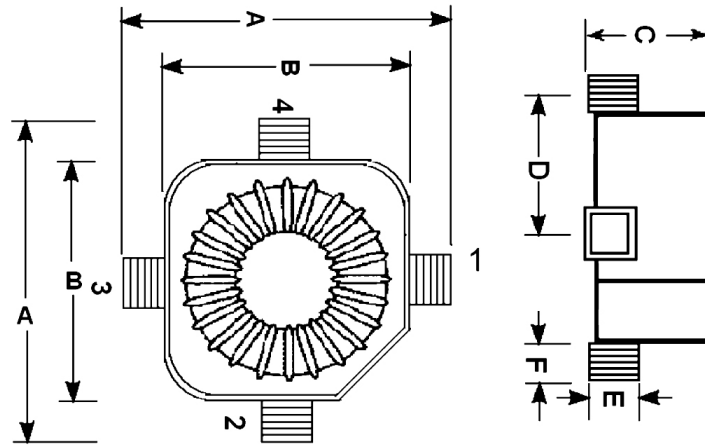


TEL: 886-6-3842899 FAX: 886-6-3843288

E-MAIL: ydsweb@yds.com.tw

Rev: 0 2018/07/09

Mechanicals and Dimensions



| TYPE | A | B | C | D | E | F |
|------|------|-----|-----|------|-----|-----|
| 1 | 12.5 | 9.5 | 5.8 | 5.13 | 3.0 | 2.5 |
| 2 | 14.5 | 12 | 7.0 | 6.38 | 4.5 | 2.5 |

Dimension: mm

Unless otherwise specified, all tolerances are ± 0.25

Schematics

