

FEATURES:

- 2X4 RJ45 with internal magnetics
- Suitable for CAT 5 & 6 Fast Ethernet Cable or better UTP
- Internal magnetics are 100% electrically tested for HI-POT and functionality
- 350 μ H minimum OCL with 8 mA bias current



YUAN DEAN SCIENTIFIC



RJ45 Jack
74F SERIES

With Magnetics

2 x 4 Port

10/100/1000 Base-Tx

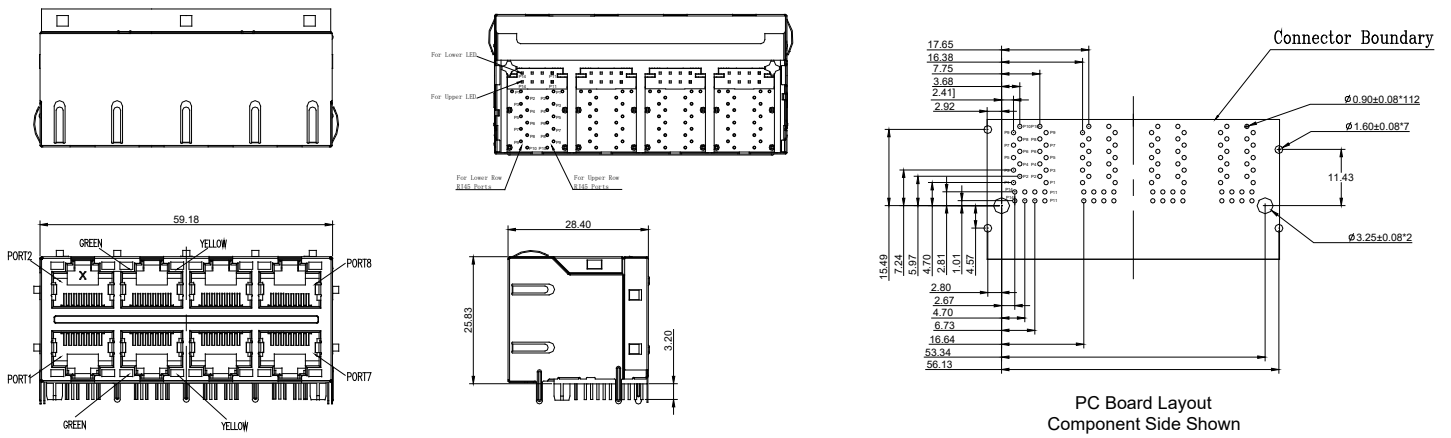
TAB Up & Down



Electrical Specifications@25°C-Operating Temperature 0°C to 70°C

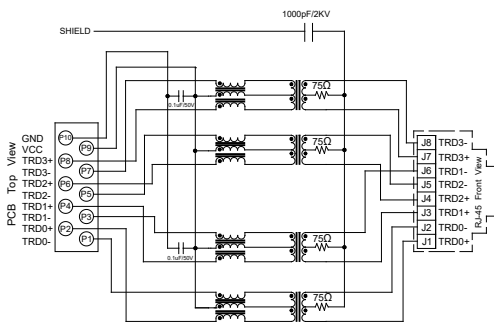
Part Number	Turns Ratio		Insertion Loss (dB MAX)		Return Loss (dB MIN) 100 Ω ±15 Ω				Crosstalk (dB MIN)	Common Mode Rejection (dB MIN)	Hipot (VDC)
	TX	RX	1-100 MHz	100-125 MHz	1-40 MHz	40-60 MHz	60-80 MHz	80-100 MHz	1-100 MHz	1-100 MHz	@60Hz
74F-4010GYDZ2NL	1CT:1CT	1CT:1CT	-1.0	-1.2	-16	-12	-10	-8	-30	-30	2250

Mechanical and Dimension

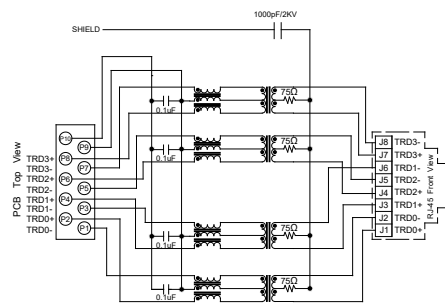


Schematics

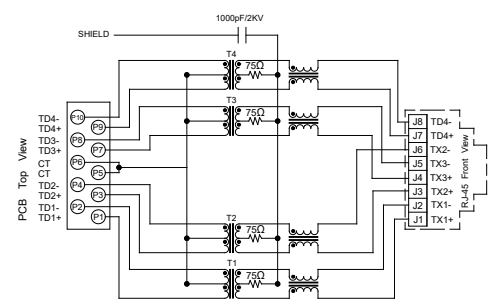
74F-4002



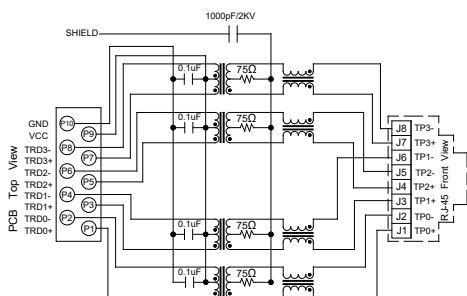
74F-4003



74F-4004



74F-4005



74F-4010

