

FEATURES:

- Magnetic designs to support every PHY
- Meet or exceed IEEE 802.3 and ANSI X3.263 standards including 350uH min OCL with 8mA bias
- Minimum 1500Vrms isolation per IEEE 802.3 requirement

YUAN DEAN SCIENTIFIC



RJ45 Jack

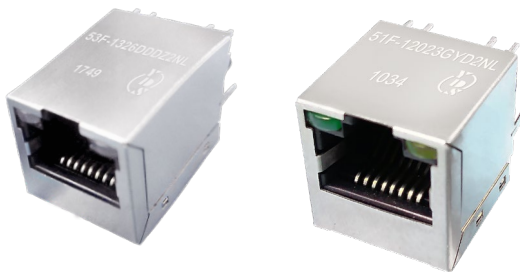
51F/53F SERIES

With Magnetics

10/100 Base-T

TAB Up

Vertical (180°)



Electrical Specifications@25°C Operating Temperature 0°C to 70°C

Part Number	Turns Ratio ±5%		LEDS (L/R)	Insertion Loss (dB MAX)	Return Loss (dB MIN @100Ω±15Ω)					Crosstalk (dB MIN)			Common Mode Rejection (dB MIN)			Hipot (V _{rms})
	TX	RX			0.3-100 MHz	1-30 MHz	40 MHz	50 MHz	60-80 MHz	30 MHz	60 MHz	100 MHz	30 MHz	60 MHz	100 MHz	
51F-1202GYD2NL	1CT:1CT	1CT:1CT	G/Y	-1.0	-18	-16	-12	-10	-40	-35	-30	-30	-20	-20	1500	

Electrical Specifications @25°C Operating Temperature -40°C to 85°C

Part Number	Turns Ratio ±2%		LEDS (L/R)	Insertion Loss (dB TYP)	Return Loss (dB TYP @100Ω±15Ω)				Crosstalk (dB TYP)			Common Mode Rejection (dB TYP)		Hipot (V _{rms})
	TX	RX			0.3-100 MHz	1-10 MHz	30 MHz	60-80 MHz	1-10 MHz	30-60 MHz	60-100 MHz	1-50 MHz	50-130 MHz	
53F-1201GYD2NL	1CT:1CT	1CT:1CT	G/Y	-1.2	-18	-16	-12	-30	-30	-30	-30	-30	-20	1500

www.yds.com.tw



TEL : 886-6-3842899

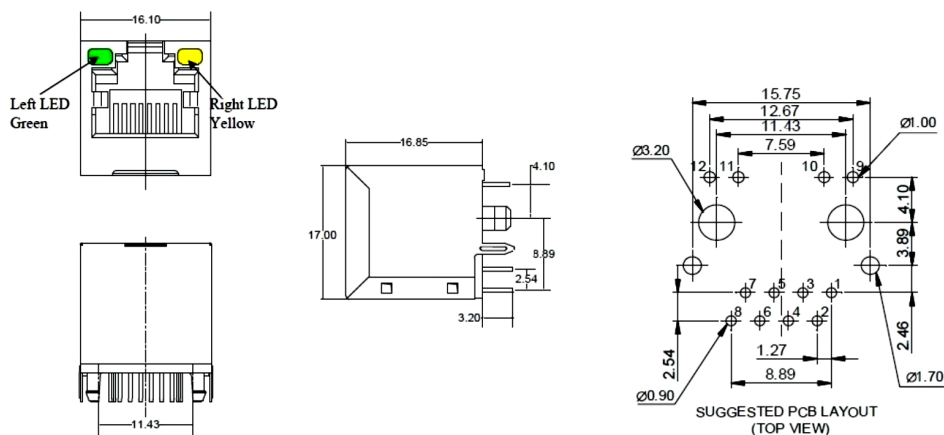
FAX : 886-6-3843288

E-MAIL: ydsweb@yds.com.tw

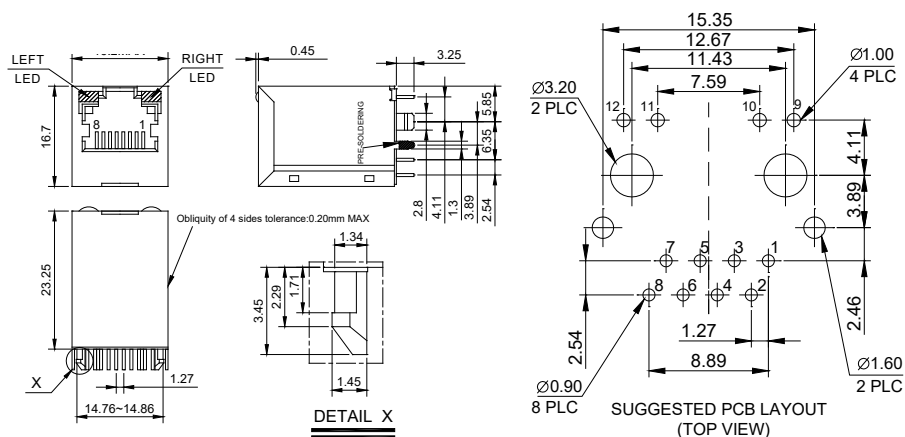
Rev: 4 2022/06/20

Mechanical

51F



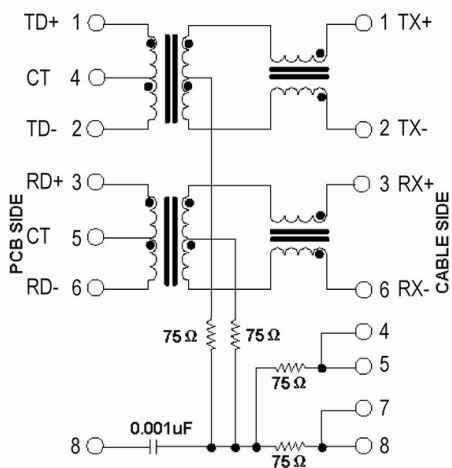
53F



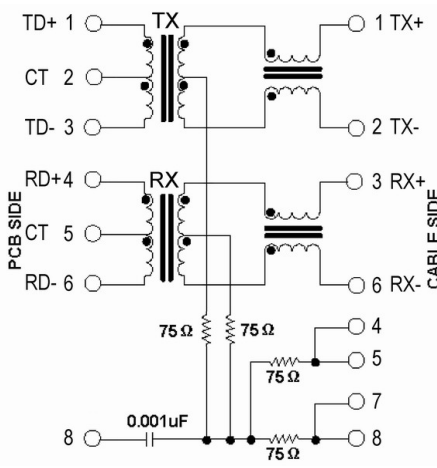
UNIT: mm Unless otherwise specified, all tolerances are ± 0.25

Schematic

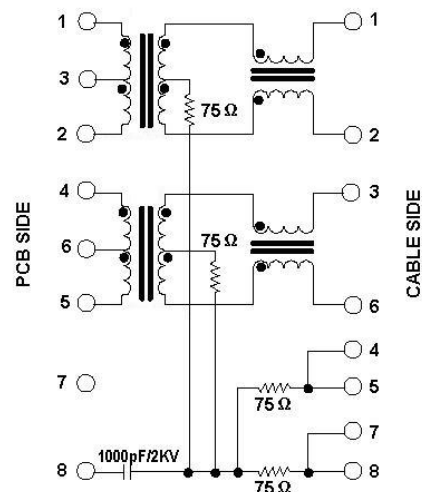
51F-1202



51F-1203

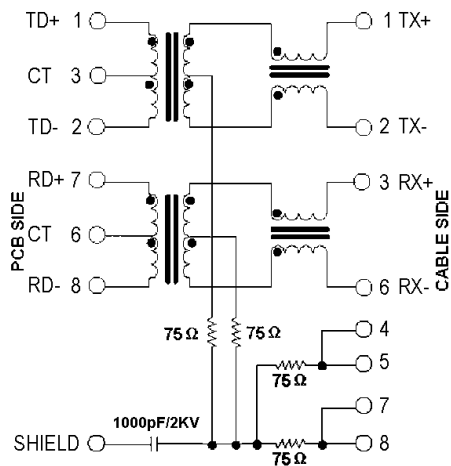


51F-1205

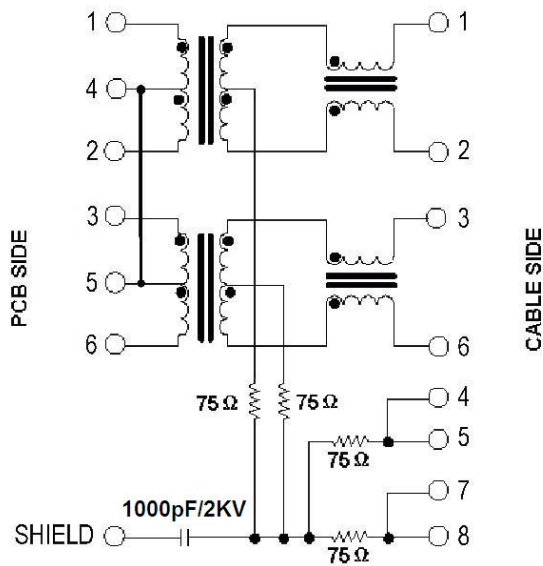


Schematics

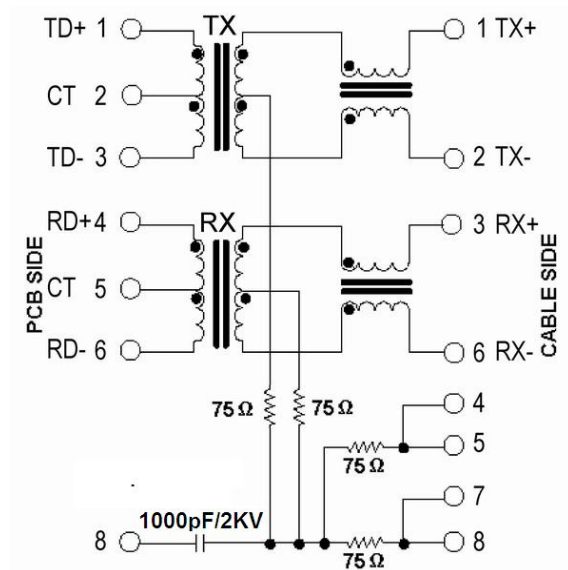
51F-1210



53F-1201



53F-1204



LED Configuration



Standard LED	Wavelength	Forward * V(MAX)	TYP
Green	565nm	2.5v	2.2v
Yellow	585nm	2.5v	2.1v

With a forward current of 20mA