

FEATURES :

- 7PIN SIP Package
- High Efficiency up to 85%
- Unregulated Output Types
- Internal SMD Construction
- No External Component Required
- Operating Temperature:-40°C to +85°C
- Industry Standard Pinout

Specifications typical at TA=25°C, nominal input voltage and rated output current unless otherwise specified

Part Number	Output2		Efficiency	Recognized by UL 60950-1
	Voltage (Vdc)	Current (mA)	%Typ	
17D-XXDXX03NNL	3.3	150	70	17D-05D0505NNL 17D-05D0512NNL 17D-12D0512NNL 17D-12D1212NNL 17D-24D0505NNL 17D-24D2424NNL
17D-XXDXX05NNL	5	100	70	
17D-XXDXX09NNL	9	56	70	
17D-XXDXX12NNL	12	42	70	
17D-XXDXX15NNL	15	34	70	
17D-XXDXX24N2NL	24	21	70	

Note:

- 1."XX" Is Voltage:03 = 3.3Vdc,05=5Vdc,09=9Vdc 12=12Vdc,15=15Vdc,24=24Vdc.
2. 3.3V for output only, not for input.
3. The input voltage increases, there will be an increase in efficiency.
4. Over 24Vdc input voltage or Output voltage, using the 2nd package.

Input Specifications

Parameters	Conditions	Min	Typ	Max	Units
Voltage Tolerance	Vo,Io Nom			±5	%
Filter	Capacitor				

Output Specifications

Parameters	Conditions	Min	Typ	Max	Units
Voltage Tolerance	100% full load			±5	%
Short Circuit Protection	Short Term			1	Sec
Line Regulation	For 1.0% OF Vin		1.2		%
Load Regulation	3.3V,5V (10% To 100% F.L)			15	%
Load Regulation	9V,12V,15V (10% To 100% F.L.)			10	%
Ripple & Noise	BW=DC To 20MHz			100	mVp-p
Transient response setting time	50% load step change		350		us

YUAN DEAN SCIENTIFIC



DC-DC Converter

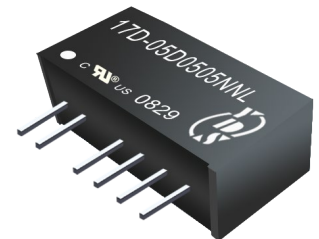
17D SERIES

1Watt

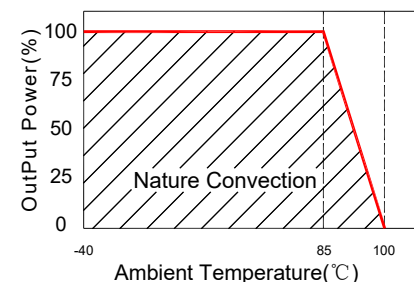
1KV Isolated

Twin Output

SIP7



Temperature Derating Graph



www.yds.com.tw



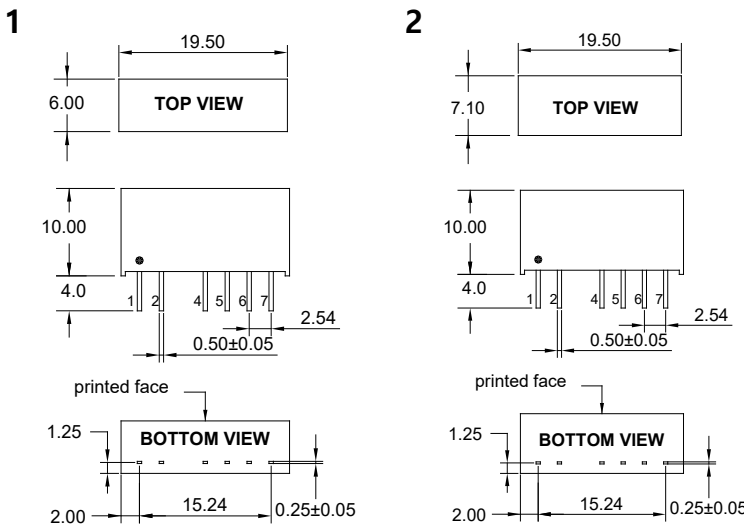
TEL : 886-6-3842899 FAX : 886-6-3843288
E-MAIL : ydsweb@yds.com.tw

Rev:1 2018/10/04

General Specifications

Parameters	Conditions	Min	Typ	Max	Units
Isolation Resistance	500Vdc	1000			MΩ
Switching Frequency	Full load, nominal input		100		KHz
Operating Temperature		-40		+85	°C
Humidity	Non Condensing			95	%
Cooling	Free air Convection				
Case material	DAP				
MTBF	MIL-HDBK-217F@25°C	3500000			Hours
Weight			2.1 or 2.7		g
Dimensions			19.5x6.0x10.0		mm
Dimensions			19.5x7.1x10.0		mm

Markings and Dimensions

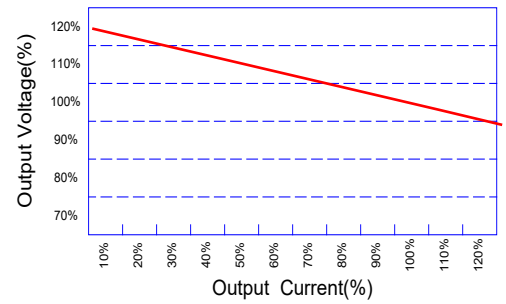


Unit : mm Unless otherwise specified, all tolerances are ±0.25

PIN Connection

PIN	1	2	4	5	6	7
Dual	+Vin	-Vin	+Vout1	- Vout1	+Vout2	-Vout2

Tolerance Envelope Graph

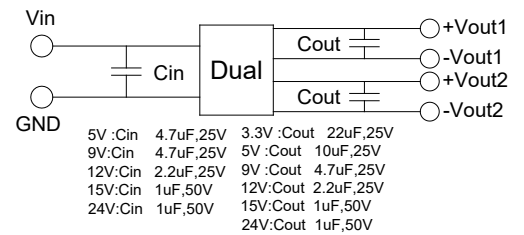


Part Number

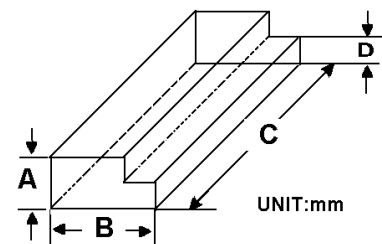
17D - 05 D 0503 N NL
A B C D E F

- A:Series
- B:Input Voltage
- C:Dual(D)
- D:Output Voltage
- E:Unregulated(N)
- F:RoHS Version

Recommended Test Circuit



Packaging



Size(mm)			
A	B	C	D
9.50	16.50	522	5.00

