

**FEATURES :**

- 2:1Wide Input Voltages Range
- 7PIN SIP Package
- High Efficiency up to 83%
- Regulated Output Types
- Internal SMD Construction
- No External Component Required
- Operating Temperature:-40°C to +85°C
- Industry Standard Pinout

Specifications typical at TA=25°C, nominal input voltage and rated output current unless otherwise specified

Part Number	Input Voltage	Output Voltage	Output Current	Efficiency
	Vdc	Vdc	mA	%TYP
14DZ-05S05R2W	4.5-9	5	400	70
14DZ-05S09R2W	4.5-9	9	222	72
14DZ-05S12R2W	4.5-9	12	167	75
14DZ-05S15R2W	4.5-9	15	133	78
14DZ-05S24R2W	4.5-9	24	84	80
14DZ-12S05R2W	9-18	5	400	75
14DZ-12S09R2W	9-18	9	222	78
14DZ-12S12R2W	9-18	12	167	80
14DZ-12S15R2W	9-18	15	133	80
14DZ-12S24R2W	9-18	24	84	83
14DZ-24S05R2W	18-36	5	400	76
14DZ-24S09R2W	18-36	9	222	78
14DZ-24S12R2W	18-36	12	167	80
14DZ-24S15R2W	18-36	15	133	80
14DZ-24S24R2W	18-36	24	84	83

**Input Specifications**

Parameters	Conditions	Min	Typ	Max	Units
Voltage Types	Vo, Io Nom			2:1	
Filter	Capacitor				

YUAN DEAN SCIENTIFIC



DC-DC Converter

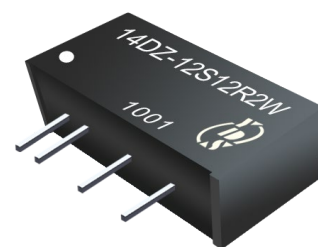
14DZ-2W SERIES

2Watt 3KV Isolated

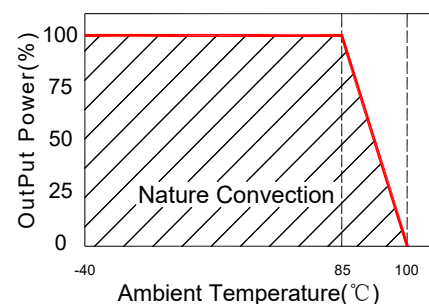
2 : 1 Input Voltage Range

Single Output

SIP7



Temperature Derating Graph



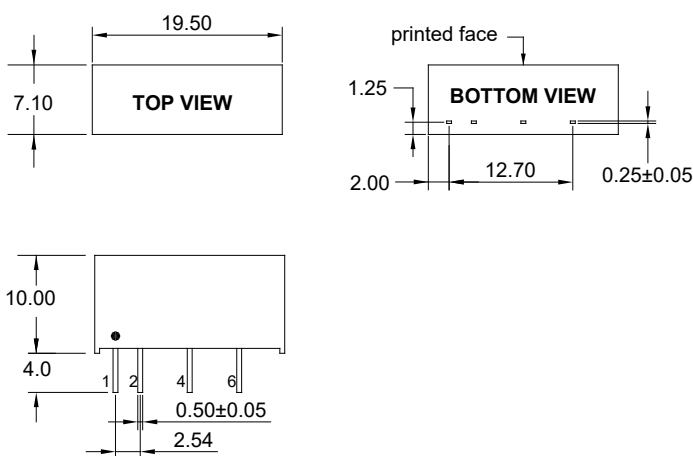
**Output Specifications**

Parameters	Conditions	Min	Typ	Max	Units
Voltage Tolerance	100% full load			±5	%
Short Circuit Protection	Continuous				
Line Regulation	Regulated			±0.5	%
Load Regulation	Regulated			±1.5	%
Ripple & Noise	Output:5V,9V TYPES BW=DC To 20MHz			100	mVp-p
Ripple & Noise	Output:12-24V TYPES BW=DC To 20MHz			1% of Vout	mVp-p
Transient response setting time	50% load step change		350		us

**General Specifications**

Parameters	Conditions	Min	Typ	Max	Units
Isolation Resistance	500Vdc	1000			MΩ
Switching Frequency	Full load, nominal input		100		KHz
Operating Temperature		-40		85	°C
Humidity	Non Condensing			95	%
Cooling	Free air Convection				
Case material	DAP				
MTBF	MIL-HDBK-217F @25°C	1500000			Hours
Weight			2.7		g
Dimensions			19.5x7.1x10.0		mm

**Markings and Dimensions**



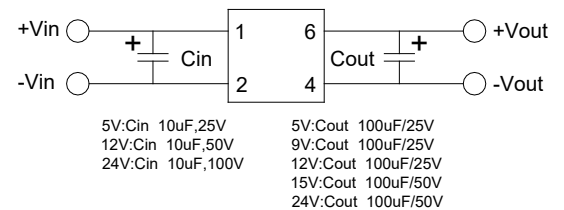
UNIT : mm Unless otherwise specified, all tolerances are ±0.25

**Part Number**

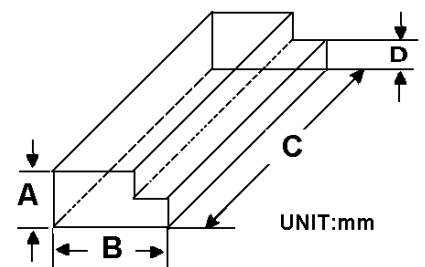
14DZ - 05 S 05 R 2W  
A B C D E F

A:Series  
B:Input Voltage  
C:Single Output  
D:Output Voltage  
E:Regulated(R)  
F:Output Power

**Recommended Test Circuit**



**Packaging**



Size(mm)			
A	B	C	D
9.5	16.5	52.2	5.0

**PIN Connection**

Pin	1	2	4	6
Single	+Vin	-Vin	-Vout	+Vout