

## FEATURES:

- Meet IEEE 802.3 and ANSI X3.263 standards including 350 uH OCL with 8mA Bias

YUAN DEAN SCIENTIFIC



LAN Filters  
072F SERIES

100/1000 Base-T  
Quad Port  
72PIN DIP

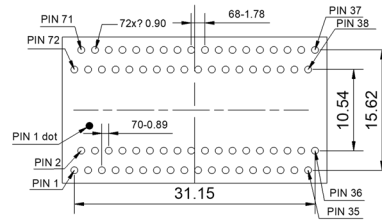
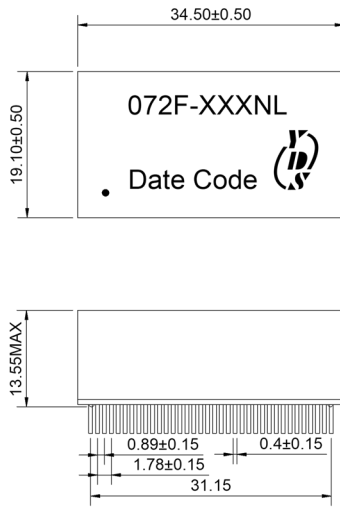


## Electrical Specifications@25°C-Operating Temperature 0°C to 70°C

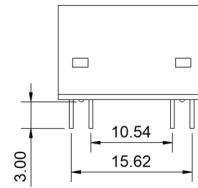
Part Number	Turns Ratio (±5%)	LK (uH MAX)	Cw/w (pF MAX)	D.C.R (ΩMAX)	Insertion Loss (dB MAX)	Return Loss (dB MIN)					Crosstalk (dB MIN)	Hipot VrmS MIN
						1-30 MHz	40 MHz	50 MHz	60-80 MHz	80-100 MHz		
072F-01ANL	1CT:1CT	0.5	120	1.4	-1.0	-18	-14.4	-13.1	-12	-10	-30	1500

Mechanicals and Dimensions

DIP

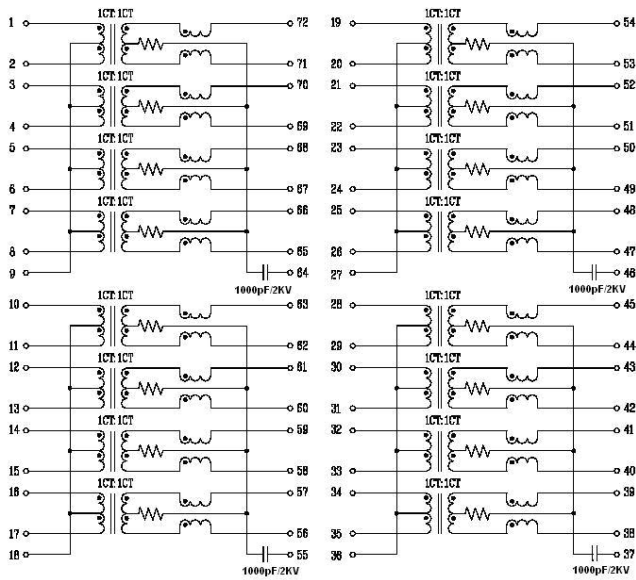


SUGGESTED PCB LAYOUT



Schematics

072F-01



072F-03

