

FEATURES:

- RJ45 1xN, Tab-DOWN 8-pin&10-pin with internal magnetics
- Options: 1x2,1x4 for 10/100/1000 Base-TX
- Available with and without LEDs
- Suitable for CAT 5 and 6 Fast Ethernet cable or better UTP
- Internal magnetics are 100% electrically tested for HI-POT and functionality
- 350uH minimum OCL with 8mA bias current
- Minimum 2250VDC isolation per IEEE 802.3 requirement
- Recognized by UL 60950-1

YUAN DEAN SCIENTIFIC



RJ45 Jack
6XF SERIES
With Magnetics
1 x N Port
10/100/1000 Base-T
TAB Down



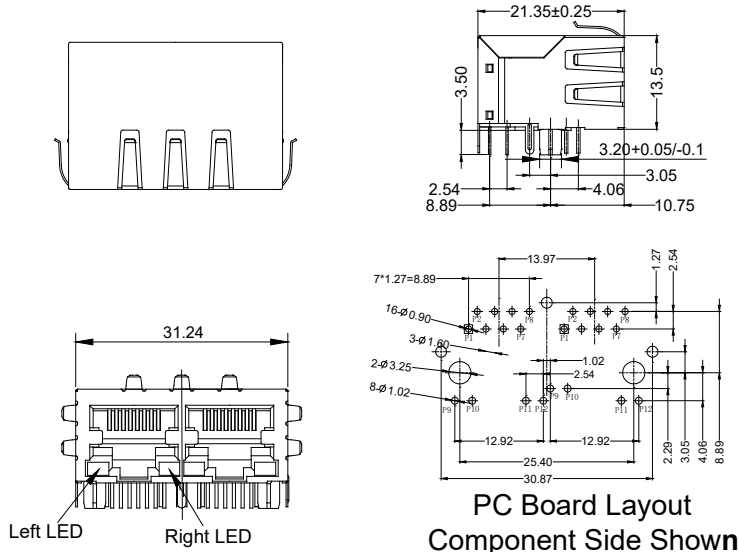
Electrical Specifications@25°C-Operating Temperature 0°C to 70°C

Part Number	Turns Ratio (±5%)		TAB Option	LEDs	Insertion Loss (dB TYP)	Return Loss (dB TYP@100Ω±15Ω)			Crosstalk (dB TYP)			Common Mode Rejection (dB TYP)		Hipot (VDC)
	TX	RX				L/R	0.3-100 MHz	1-10 MHz	30 MHz	60-80 MHz	1-10 MHz	30-60 MHz	60-100 MHz	
62F-1204GYD2NL	1CT:1CT	1CT:1CT	DOWN	G/Y	-1.2	-18	-16	-12	-40	-35	-30	-30	-20	2250
64F-1204GYD2NL	1CT:1CT	1CT:1CT	DOWN	G/Y	-1.2	-18	-16	-12	-40	-35	-30	-30	-20	2250

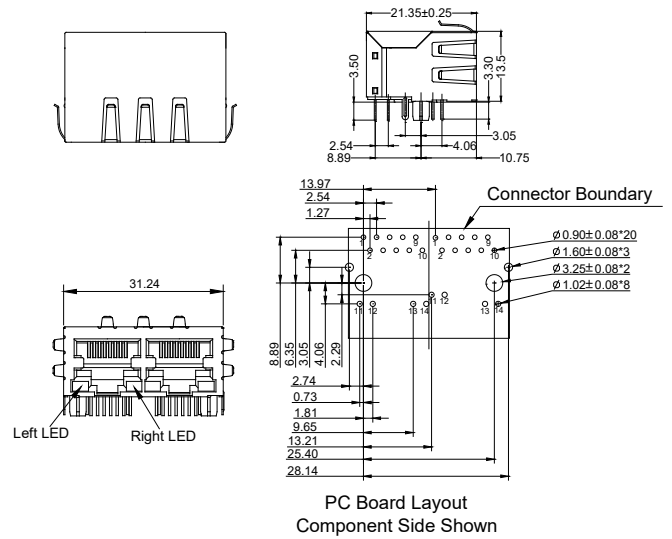


Mechanical and Dimension

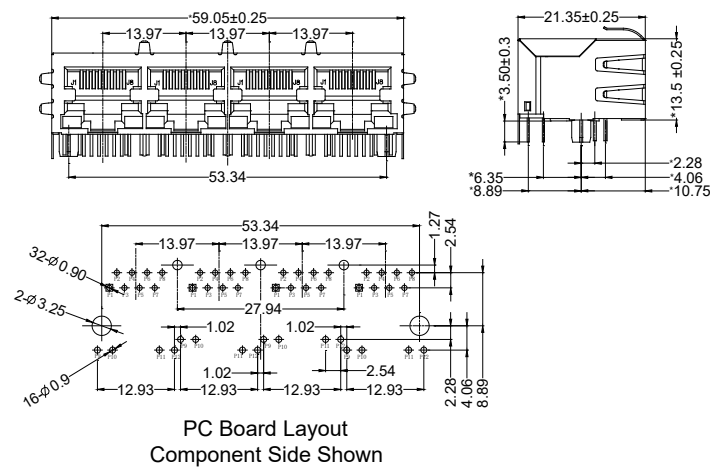
62F(10/100 Base-T)



62F(1000 Base-T)



64F



Unit: mm Unless otherwise specified, all tolerances are ±0.25

