

FEATURES:

- Low-profile , surface mount packaging , 3.71mm height
- Meets IEEE 802.3i specifications
- Designs include impedance matching resistor networks , receive and transmit isolation transformers and common mode chokes for improved EMI suppression
- 235°C peak IR Reflow temperature rating
- Operating temperature 0 ~ +70°C
- Minimum interwinding breakdown voltage of 1500 Vrms
- Recognized by UL 60950-1



YUAN DEAN SCIENTIFIC



LAN Filters
60F SERIES
 10 Base-T
 Low-profile
 14PIN SOIC



Electrical Specifications@25°C-Operating Temperature 0°C to 70°C

Part Number	Insertion Loss 1 to 10 MHz (dB TYP)	Attenuation (XMIT) (dB MIN)			Return Loss (dB MIN)	Crosstalk (dB MIN)	Common Mode Rejection (dB MIN)				Hipot (Vrms) @60Hz
		30 MHz	40 MHz	100 MHz			1 to 10 MHz	1-10 MHz	10 MHz	50 MHz	
60F-01NL	-5.0	-30	-35	-40	-18	-40	-60	-45	-45	-30	1500
60F-02NL	-5.0	-30	-35	-40	-18	-40	-60	-40	-35	-30	1500
60F-03NL	-5.0	-30	-35	-40	-18	-40	-60	-45	-35	-30	1500
60F-04NL	-5.0	-30	-35	-40	-18	-40	-60	-40	-35	-30	1500
60F-05NL	-5.0	-30	-35	-40	-18	-40	-60	-45	-35	-30	1500
60F-06NL	-5.0	-30	-35	-40	-18	-40	-60	-40	-35	-30	1500

www.yds.com.tw



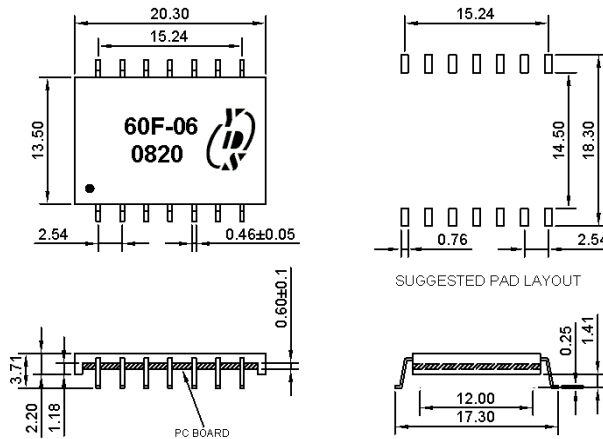
TEL : 886-6-3842899

FAX : 886-6-3843288

E-MAIL: ydsweb@yds.com.tw

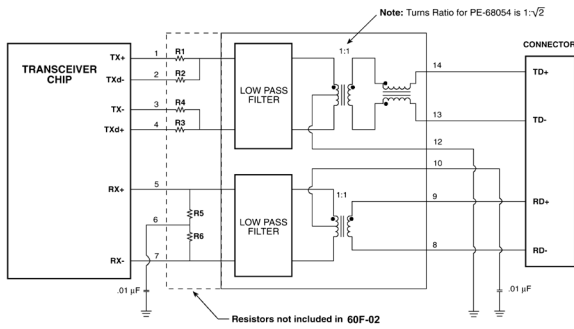
Rev: 0 2017/10/30

Markings and Dimensions

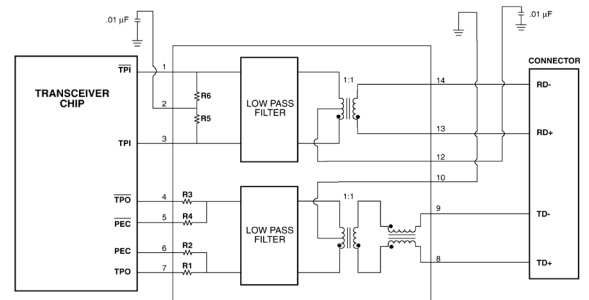


Schematics

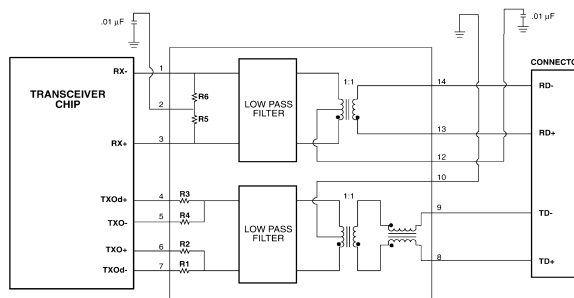
Application Circuit - A



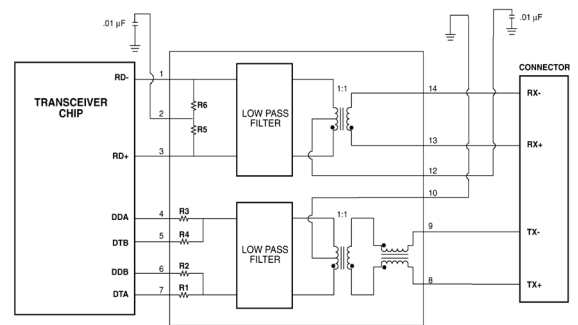
Application Circuit - B



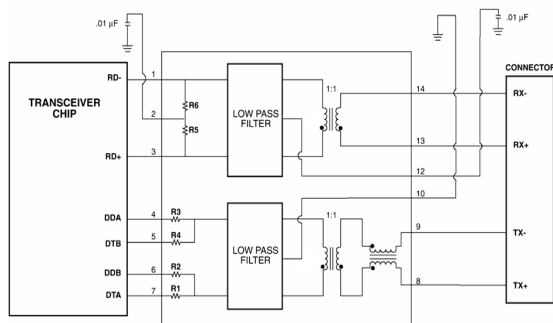
Application Circuit - C



Application Circuit - D



Application Circuit - E



Application Circuit - F

